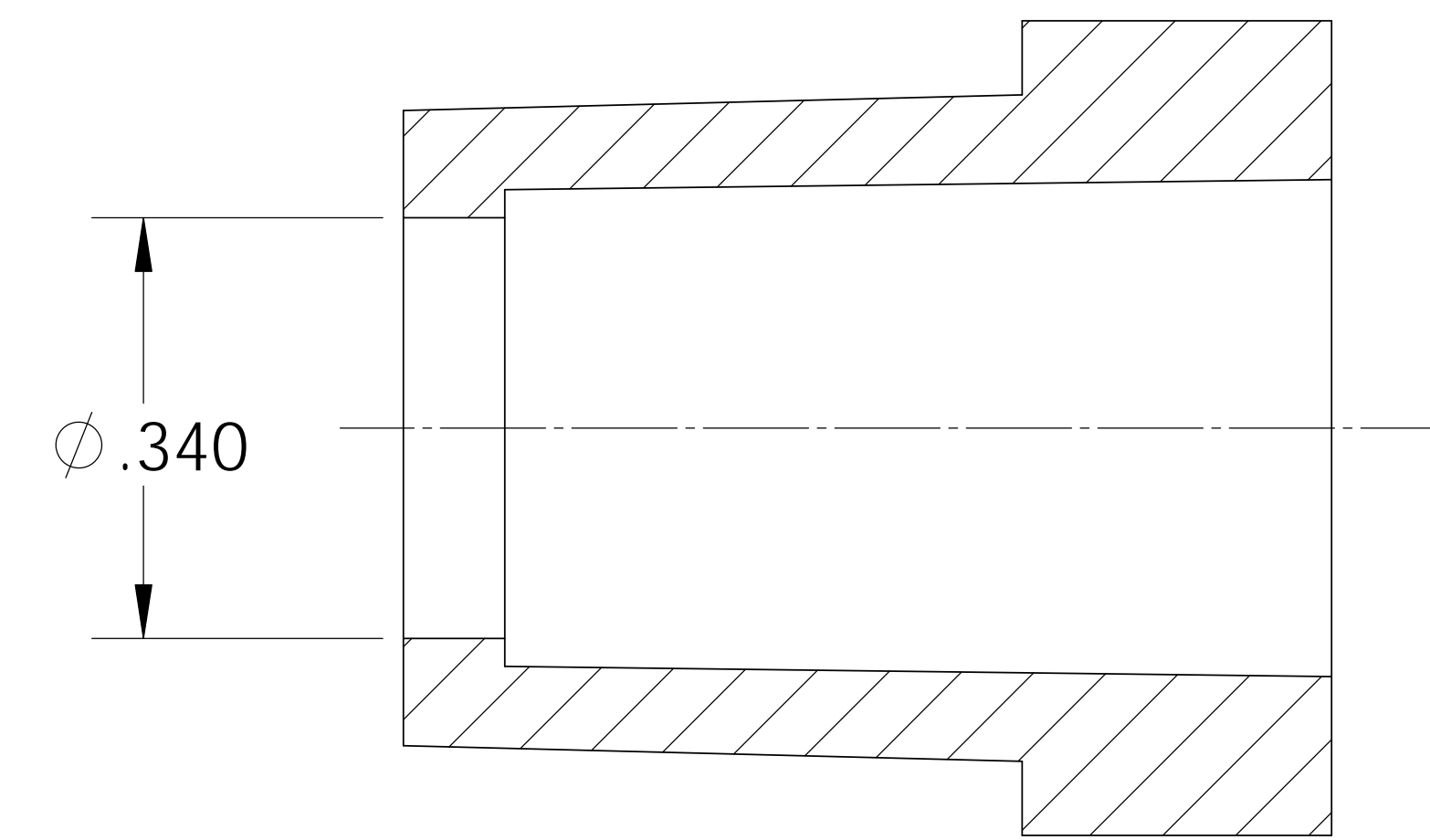
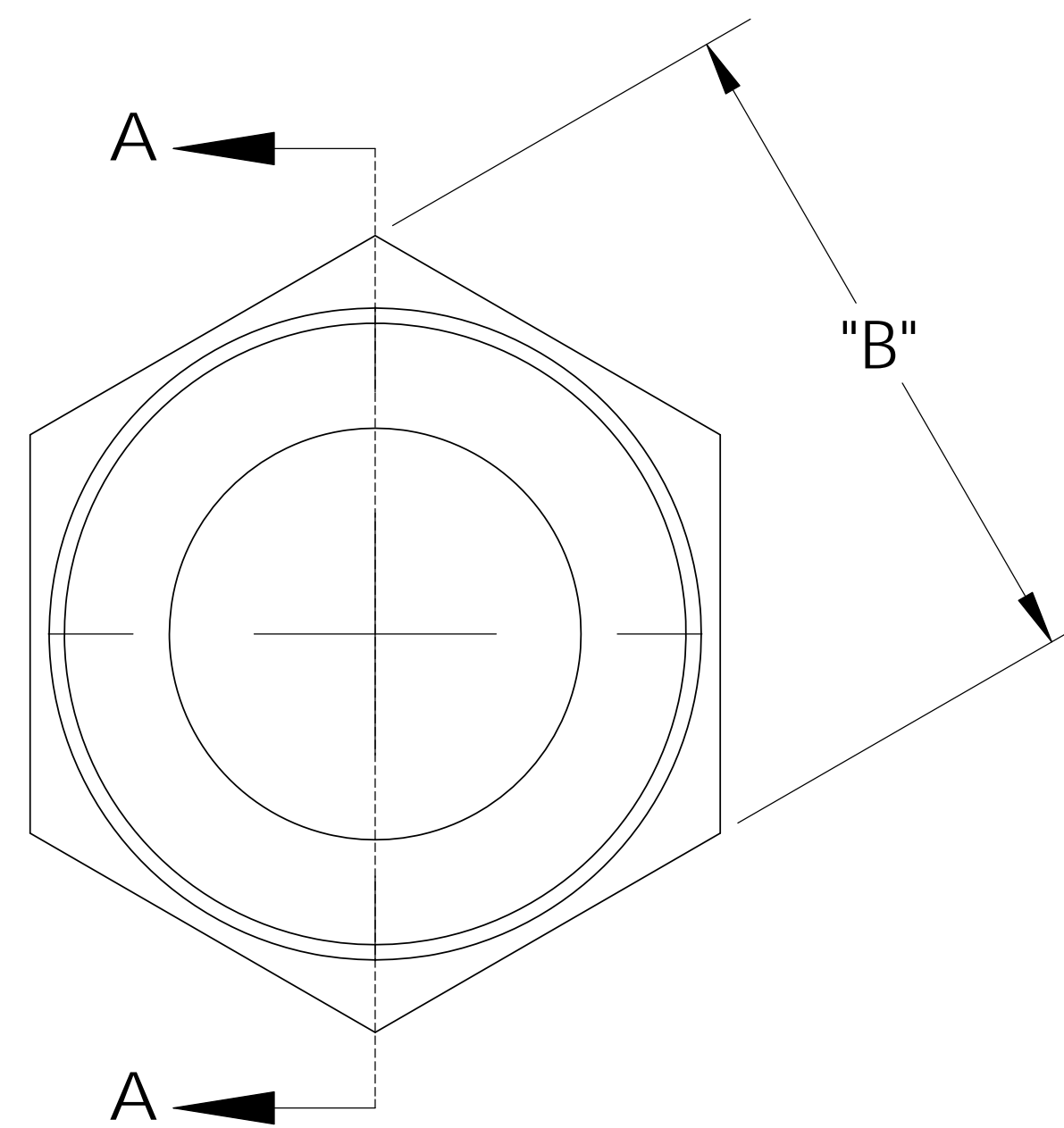


MALE 1/4"-18 NPT



SECTION A-A

NOTES:

- 1) POLYPROPYLENE HAS COLOR OPTIONS:
 BLACK = TRB1418/PPB
 NATURAL = TRB1418/PPN

PROPRIETARY AND CONFIDENTIAL
 THE INFORMATION CONTAINED IN THIS DRAWING IS THE SOLE PROPERTY OF THOGUS PRODUCTS COMPANY. ANY REPRODUCTION IN PART OR AS A WHOLE WITHOUT THE WRITTEN PERMISSION OF THOGUS PRODUCTS COMPANY IS PROHIBITED.

SHOWN

CATALOG NO.	DESCRIPTION	MATERIAL	DIM "A"	DIM "B"
TRB1418/PP	1/4" NPT X 1/8" NPT PP	POLYPROPYLENE	.740	.56
TRB1418/N	1/4" NPT X 1/8" NPT N	NYLON	.750	.57

C	95.00156	CONVERTED TO 3D FORMAT	UNLESS OTHERWISE SPECIFIED: DIMENSIONS ARE IN INCHES TOLERANCES: ANGULAR: ±0.5° XX = ± 0.1 X.XX = ± 0.05 X.XXX = ± 0.015 REMOVE ALL SHARP EDGES AND BURRS BLEND ALL RADII TO 0.01IN INTERPRET GEOMETRIC TOLERANCING PER: ANSI Y 14.5 1994 MATERIAL: PP, N FINISH: NA THIRD ANGLE PROJECTION: 	NAME	DATE	Thogus 33490 PIN OAK, AVON LAKE, OH 44012 TITLE: 1/4" NPT MALE X 1/8" NPT" FEMALE REDUCER BUSHING SIZE B DWG. NO. TRB1418 REV C	
				DRAWN	JRM		05/26/11
				CHECKED	KDJ		05/26/11
				ENG APPR.			XX/XX/XX
				MFG APPR.			XX/XX/XX
			Q.A.		XX/XX/XX		
			COMMENTS:				
REV	WRO#	DESCRIPTION	DO NOT SCALE DRAWING			SCALE: 3:1 MASS:	
HISTORY						SHEET 1 OF 1	